

A.R.I.S. SpA

Applicazioni Rielaborazioni Impianti Speciali

V A T



VAT

ARIS TACTICAL VEHICLE



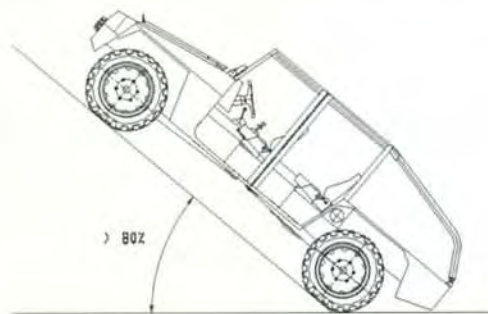
THE MANUFACTURING DESIGN OF THE NEW ARIS TACTICAL VEHICLE, BUILT ON THE ROBUST BUCHER-GUYER DURO CHASSIS, IS MARKED WITH THE UTMOST FUNCTIONALITY.

VAT JOINTS TO THE EXCELLENT OFFROAD CAPABILITIES AN INCOMPARABLE VERSATILITY IN THE MODULAR FITTING OF THE DIFFERENT CONFIGURATIONS.



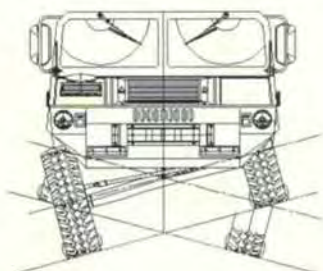
HIGH MOBILITY


80%

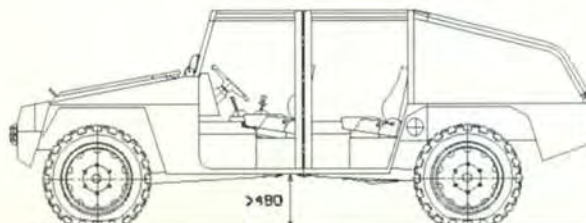




HIGH PAYLOAD

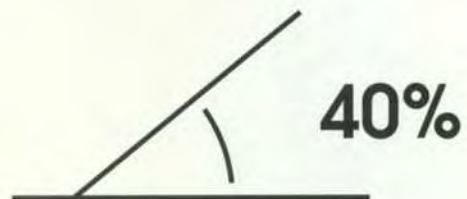
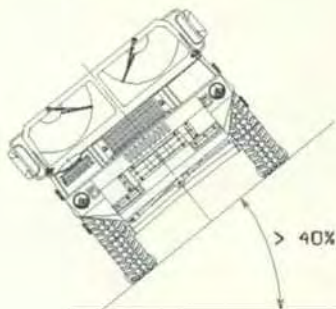


 > 2500KG



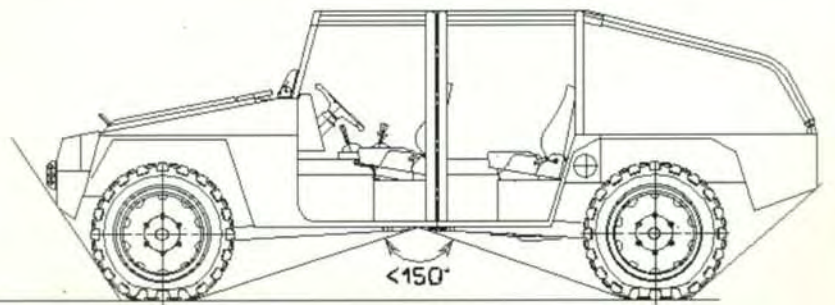
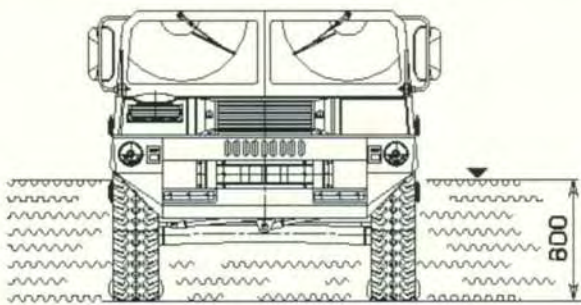


MULTIPURPOSE

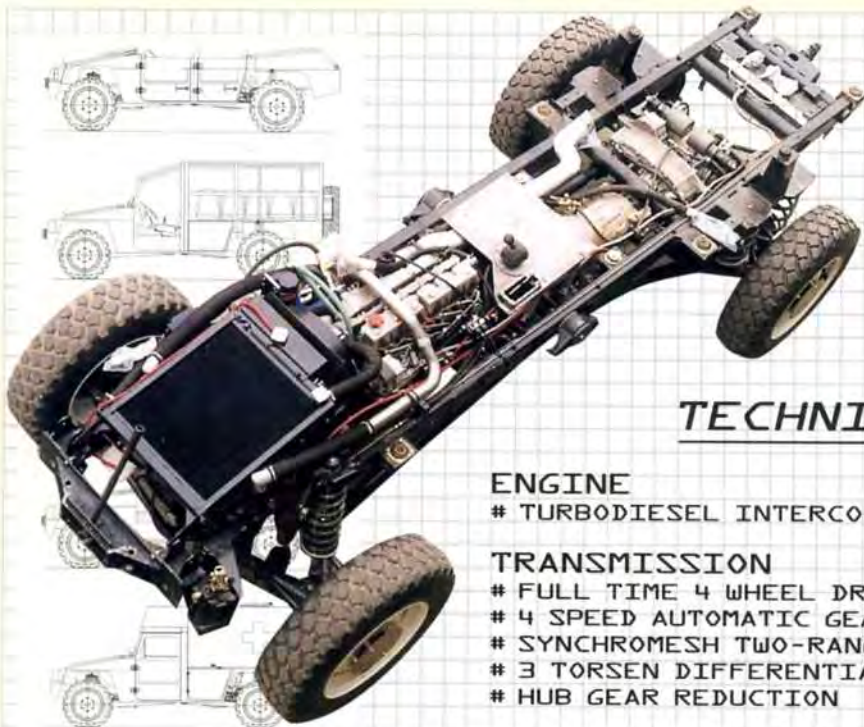




EASY TO DRIVE



VAT



TECHNICAL DATA

ENGINE

TURBODIESEL INTERCOOLER 110 KW

TRANSMISSION

FULL TIME 4 WHEEL DRIVE
4 SPEED AUTOMATIC GEARBOX WITH TORQUE CONVERTER
SYNCHROMESH TWO-RANGE TRANSFER CASE
3 TORSEN DIFFERENTIALS
HUB GEAR REDUCTION

AXLES AND SUSPENSION

DE-DION RIGID AXLES WITH WATT LINKAGE
CENTRAL STABILIZER

BRAKES

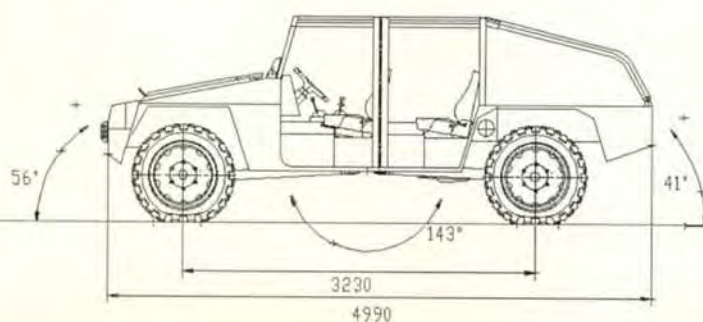
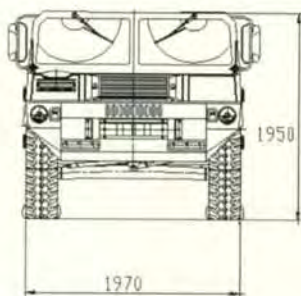
FRONT AND REAR VENTILATED BRAKE DISCS

SUPERSTRUCTURE

MODULAR CONCEPT
VARIOUS CONFIGURATIONS
OPEN CABIN WITH CANVAS TOP
CLOSED STEEL OR LIGHT ALLOY CABIN
EASY TO INSTALL OPTIONAL ADD-ON ARMOUR PANELS
AIR CONDITIONING
C.T.I.S.

DIMENSIONS

# WIDTH	(MM)	1990
LENGTH	(MM)	5080
HEIGHT STD	(MM)	1970
MIN. (AIRBORNE)	(MM)	1440
WHEELBASE	(MM)	3230
# G.V.W.	(KG)	5800
TOWED LOAD	(KG)	5000





**NATO AQAP 110
ISO 9001**

A.R.I.S. s.p.A.

Applicazioni Rielaborazioni Impianti Speciali

Str. Cascina Bertola, 10 - 10040 LOMBARDORE (TO) - ITALY
tel. +39 011 9956150 fax +39 011 9956205

All technical data are for information only and subject to modification without notice.